



The lightweight suspension system CS-B.light

The new connection solution for encapsulated IPCs and control enclosures

Why go heavy when you can go light

The new suspension system CS-B.light

The new CS-B.light lightweight support system is specially designed for mounting small, lightweight IPCs, screens and control enclosures. It offers optimum modularity as well as adjustment and positioning options for your control application.

The individual components of the suspension system are combined with special aluminium profile tubes to achieve the desired configuration according to the load diagram.

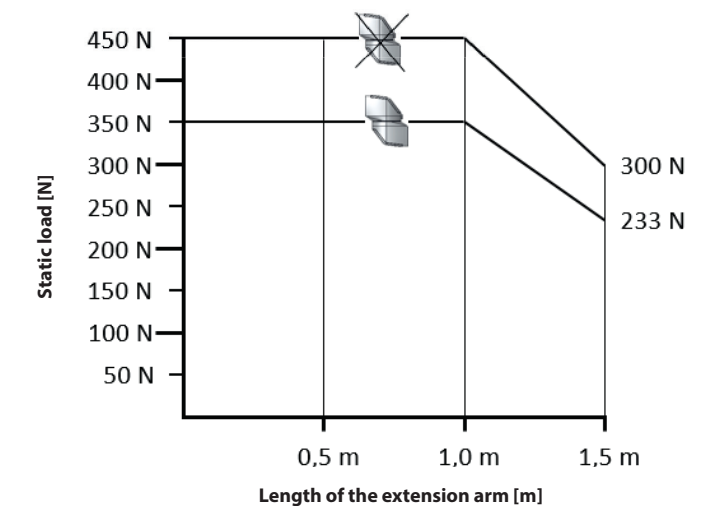


Product features

- Suspension system for static loads of up to 45 kg (with 1 m extension arm)
- Individually configurable
- Simple assembly with flexible length adjustment of the tubes
- Wide range of connections thanks to large portfolio of components



Load diagram
Static load capacity CS-B.light



Material

- Anodised aluminium tubes
- Die-cast aluminium components
- Aluminium covers on mounting openings
- POM-bearings
- PUR and NBR seals

Colouring

- Components: white aluminium (RAL 9006)
- Tubes: aluminium, natural anodised
- Powder coating of components and tubes possible in any colour according to RAL colour scale

Mounting

- Flexible adjustment of the arm length by simply shortening the aluminium tubes – possible directly on site
- Large cable and mounting openings at all deflection points
- Openings are compatible with DVI connectors
- VESA 75 + 100 connection from behind (for IPCs and monitors with corresponding connections) using the VESA couplings possible
- Mounting dimensions on the machine and enclosure side identical to the BERNSTEIN CS-2000 SL suspension system

Function

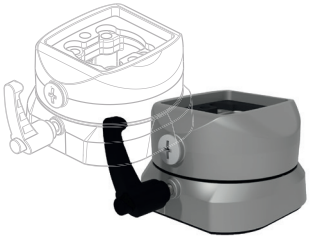
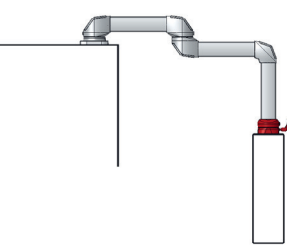
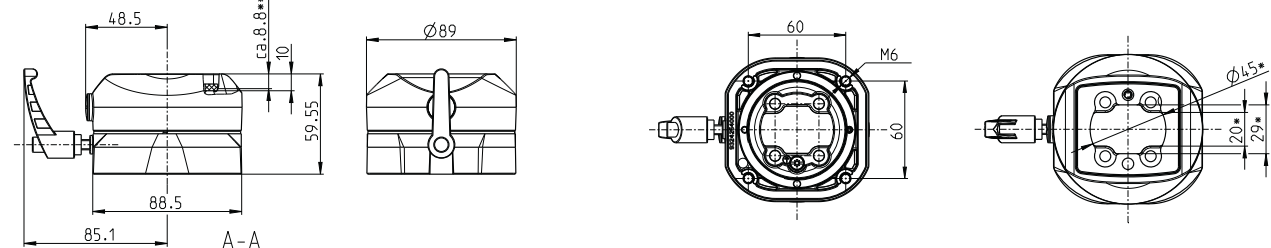
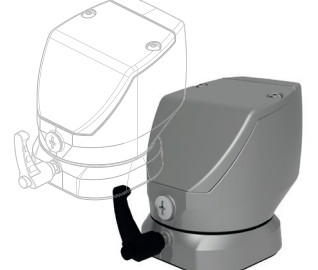
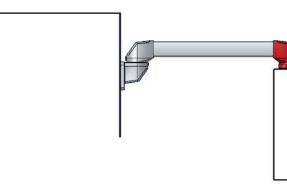
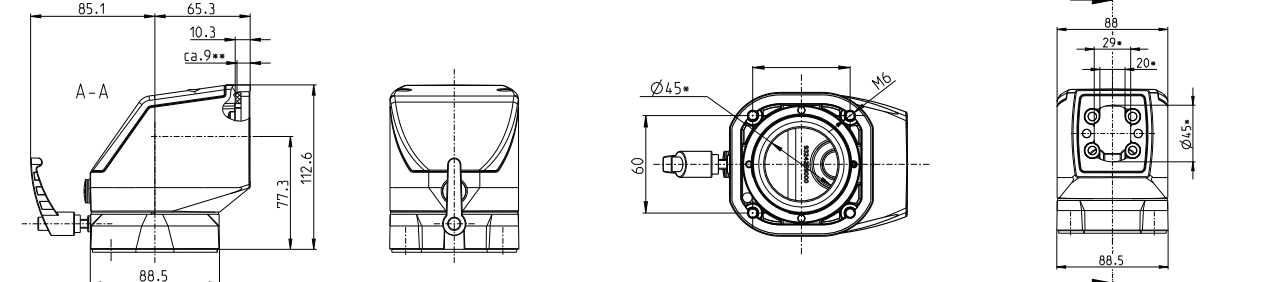

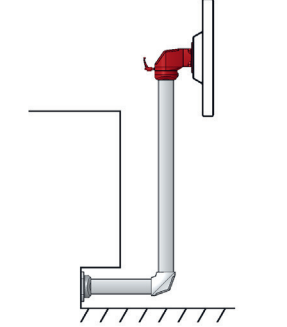
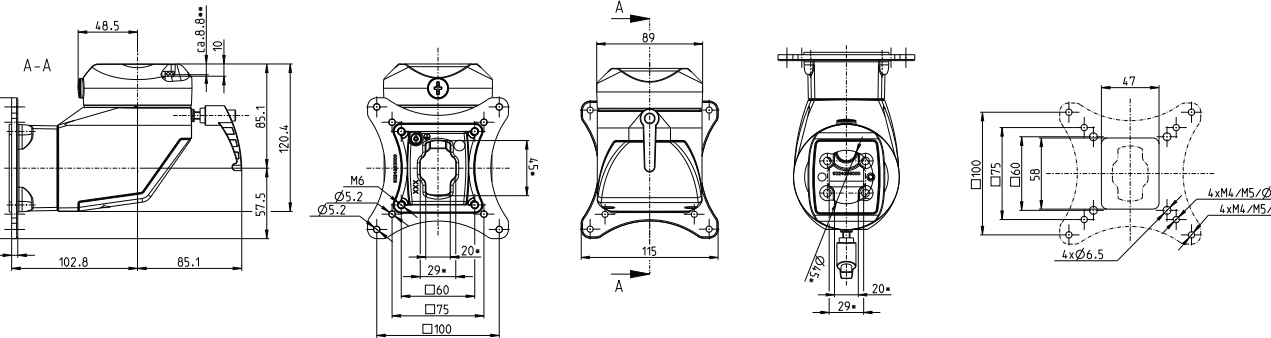

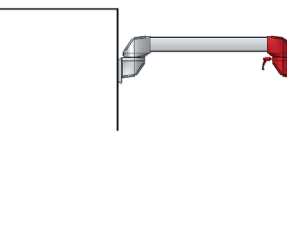
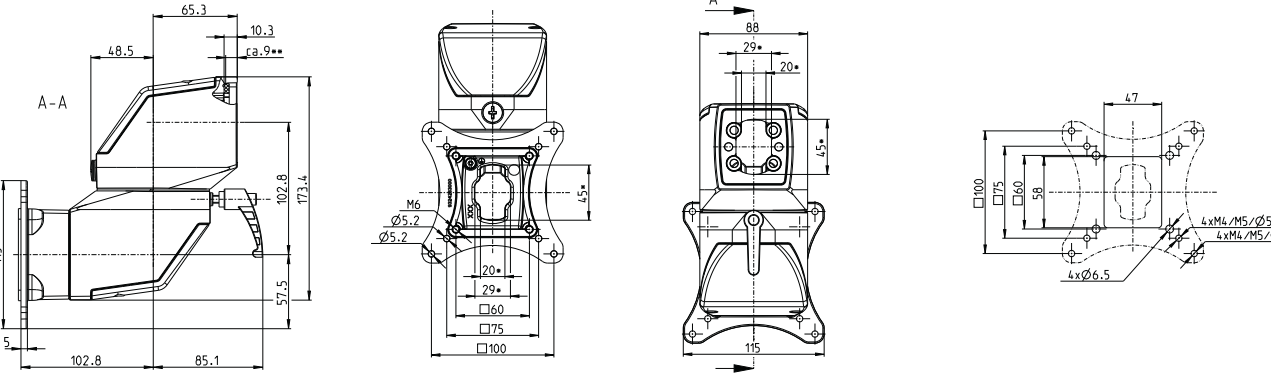
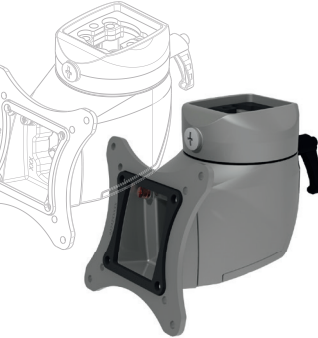
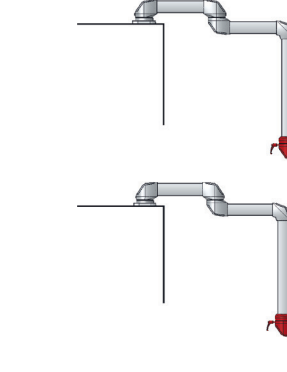
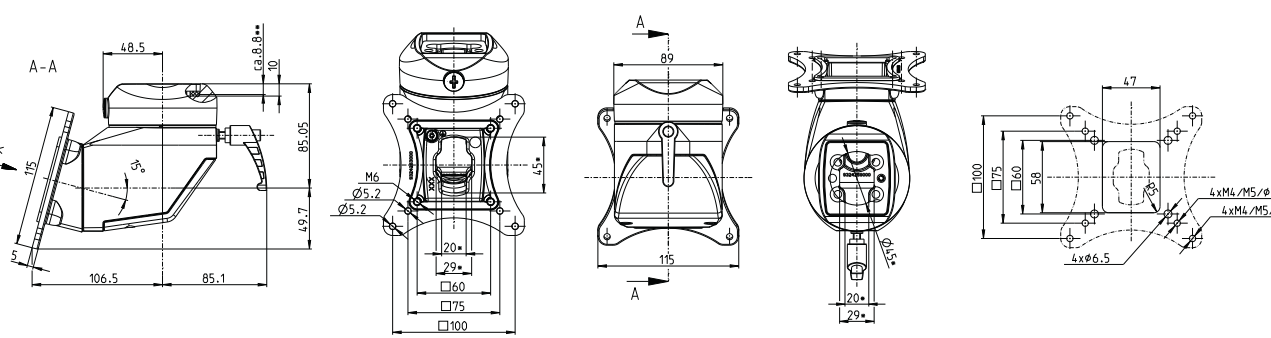
- Rotation range of the rotatable components: 300°
- Reduction of the angle of rotation by means of swivel angle limiter
- Protection class IP65
- Continuous earthing concept

Tubes

- Standard lengths from 250 mm to 1500 mm in 250 mm increments
- Customised cutting to length possible without any problems


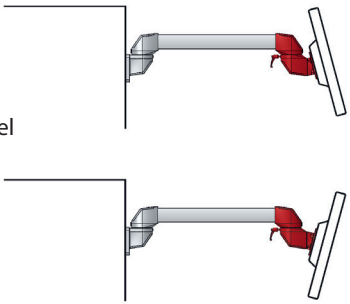
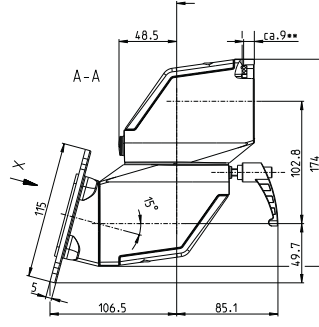
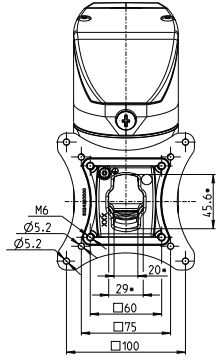
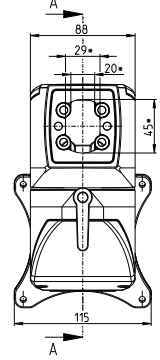
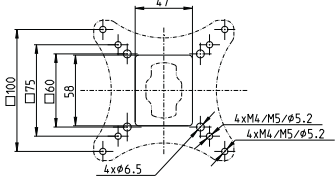
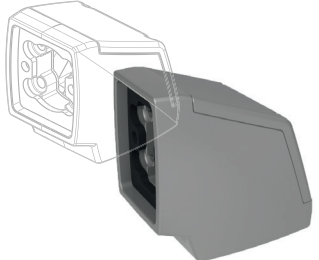
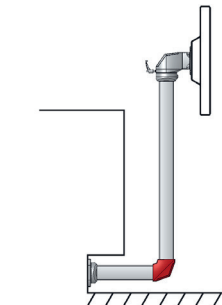
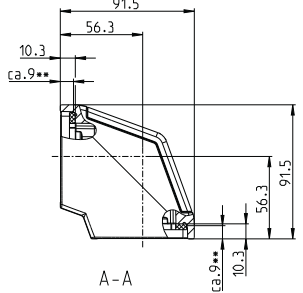
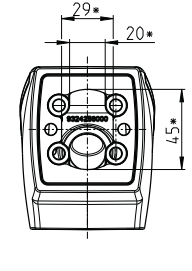
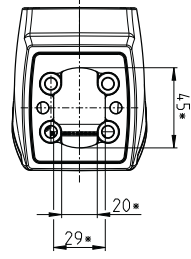

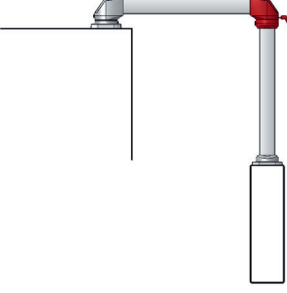
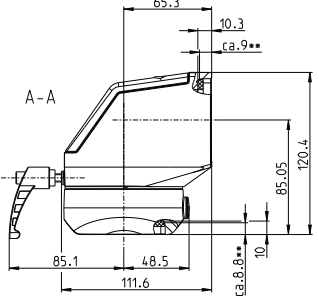
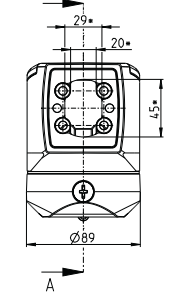
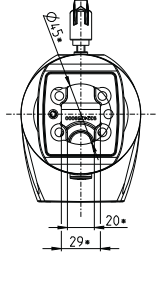

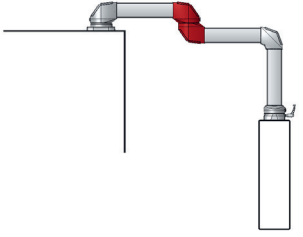
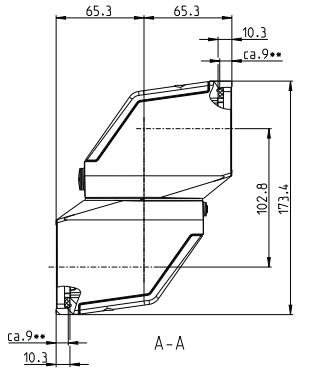
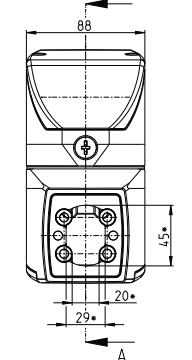
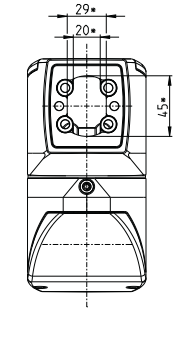
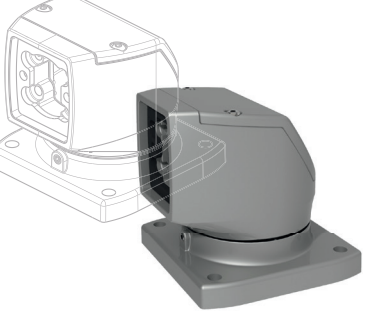
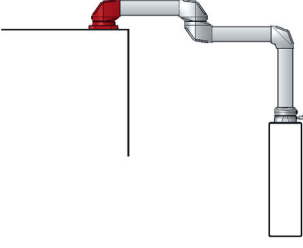
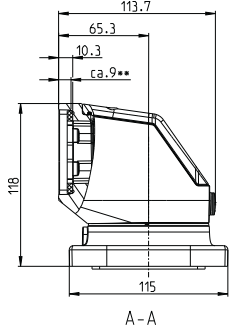
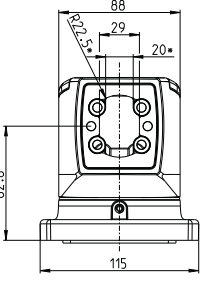
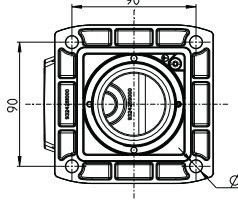
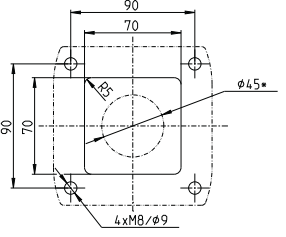


Ordering information Component overview

Article	Application example	Dimensions in mm
 <p>Straight coupling 101550001 RAL 9006 white aluminium</p> <ul style="list-style-type: none"> • Angle of rotation 300° with stop • Weight: 0,70 kg 		
 <p>Elbow coupling 101550004 RAL 9006 white aluminium</p> <ul style="list-style-type: none"> • Angle of rotation 300° with stop • Screw-fit installation opening • Weight: 1,16 kg 		
 <p>Panel coupling S incl. VESA adaptation 101550010 RAL 9006 white aluminium</p> <ul style="list-style-type: none"> • For attachments to the rear of panels / displays or operating enclosures with a screw-fit rear panel • Standard hole pattern VESA 75/100 • Angle of rotation 300° with stop • Screw-fit installation opening • Weight: 1,50 kg 		
 <p>Panel coupling W incl. VESA adaptation 101550013 RAL 9006 white aluminium</p> <ul style="list-style-type: none"> • For attachments to the rear of panels / displays or operating enclosures with a screw-fit rear panel • Standard hole pattern VESA 75/100 • Angle of rotation 300° with stop • Screw-fit installation opening • Weight: 1,96 kg 		
 <p>Panel coupling S 15° inclined, incl. VESA adaptation 101550011 RAL 9006 white aluminium</p> <ul style="list-style-type: none"> • For attachments to the rear of panels / displays or operating enclosures with a screw-fit rear panel • Fixed inclination of 15° • Standard hole pattern VESA 75/100 • Angle of rotation 300° with stop • Screw-fit installation opening • Weight: 1,41 kg 		

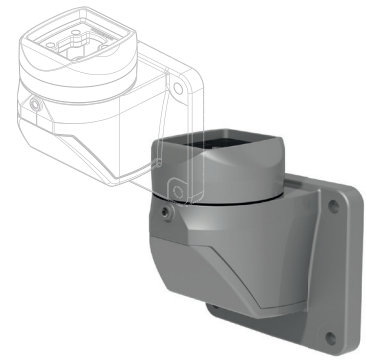
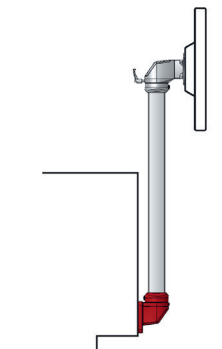
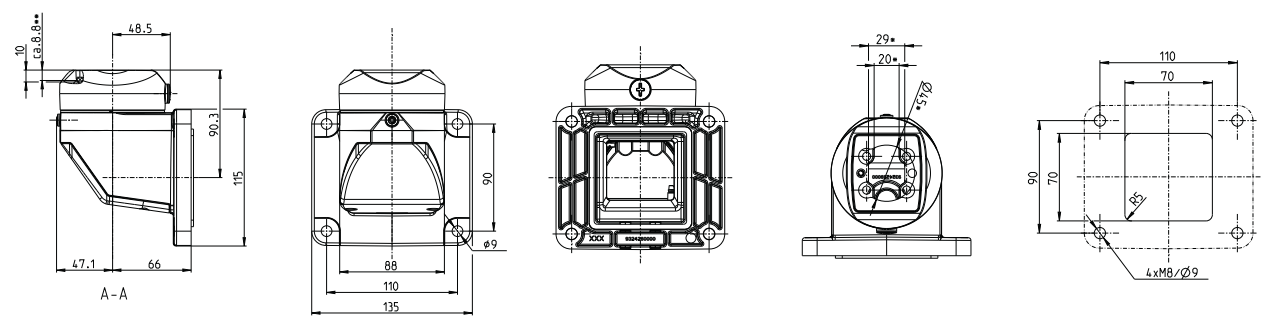
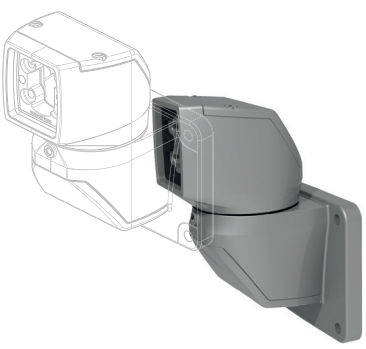
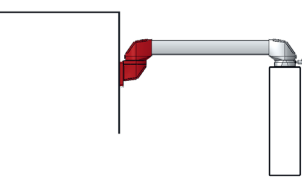
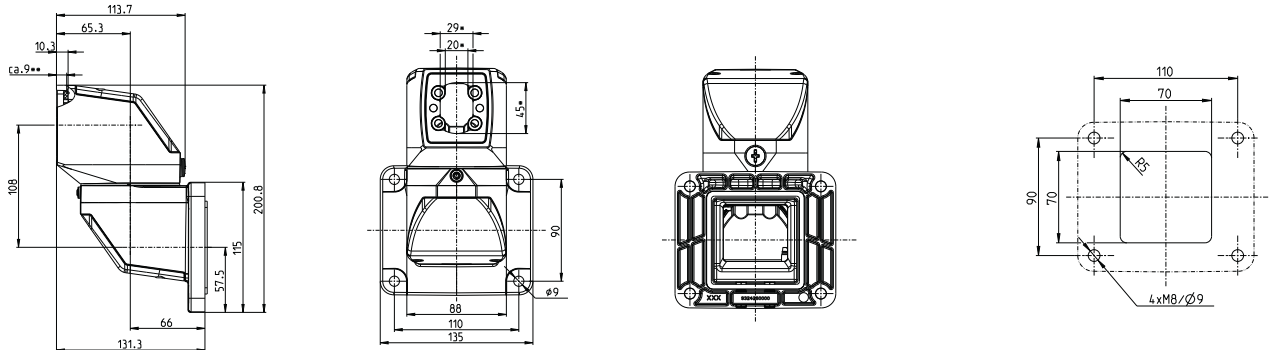
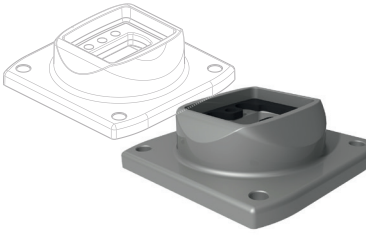
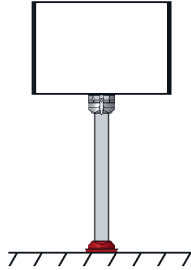
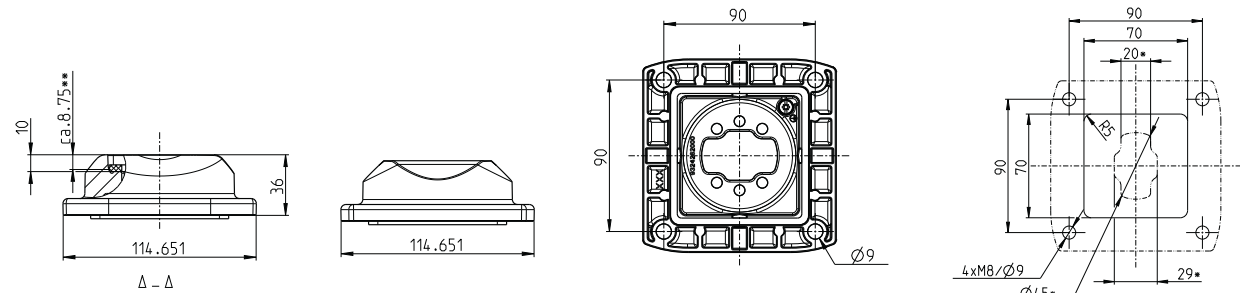
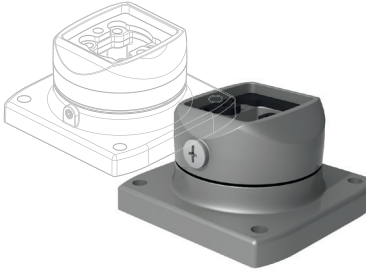
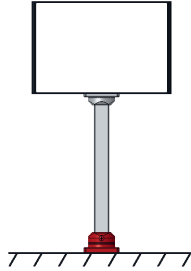
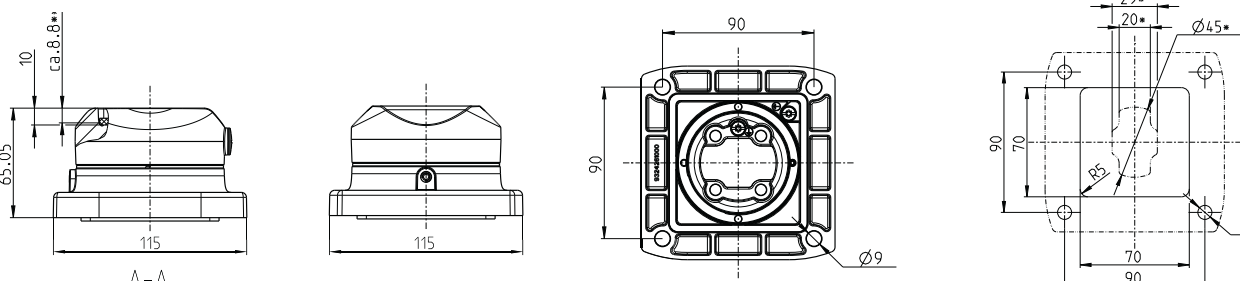
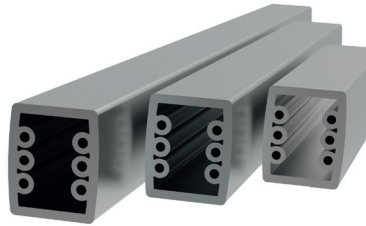
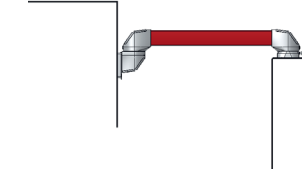
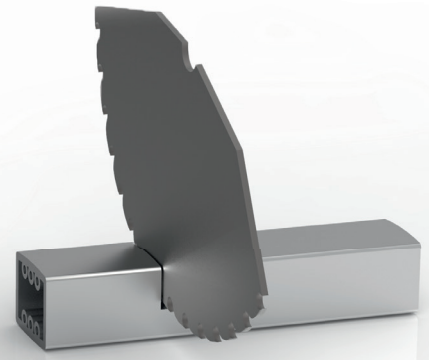
* = Cable guide dimensions | ** = Insertion depth of the support tube

Ordering information Component overview

Article	Application example	Dimensions in mm			
 <p>Panel coupling W 15° inclined, incl. VESA adaptation 1015500014 RAL 9006 white aluminium</p> <ul style="list-style-type: none"> • For attachments to the rear of panels / displays or operating enclosures with a screw-fit rear panel • Fixed inclination of 15 deg. • Standard hole pattern VESA 75/100 • Angle of rotation 300° with stop • Screw-fit installation opening • Weight: 1,87 kg 					
 <p>Elbow 1015500016 RAL 9006 white aluminium</p> <ul style="list-style-type: none"> • Screw-fit installation opening • Weight: 0,64 kg 					
 <p>Elbow, rotary 1015500017 RAL 9006 white aluminium</p> <ul style="list-style-type: none"> • Angle of rotation 300° with stop • Screw-fit installation opening • Weight: 1,22 kg 					
 <p>Intermediate joint 1015500018 RAL 9006 white aluminium</p> <ul style="list-style-type: none"> • Angle of rotation 300° with stop • 2 screw-fit installation opening • Weight: 1,70 kg 					
 <p>Top joint 1015500022 RAL 9006 white aluminium</p> <ul style="list-style-type: none"> • Angle of rotation 300° with stop • Screw-fit installation opening • Weight: 1,30 kg 					

* = Cable guide dimensions | ** = Insertion depth of the support tube

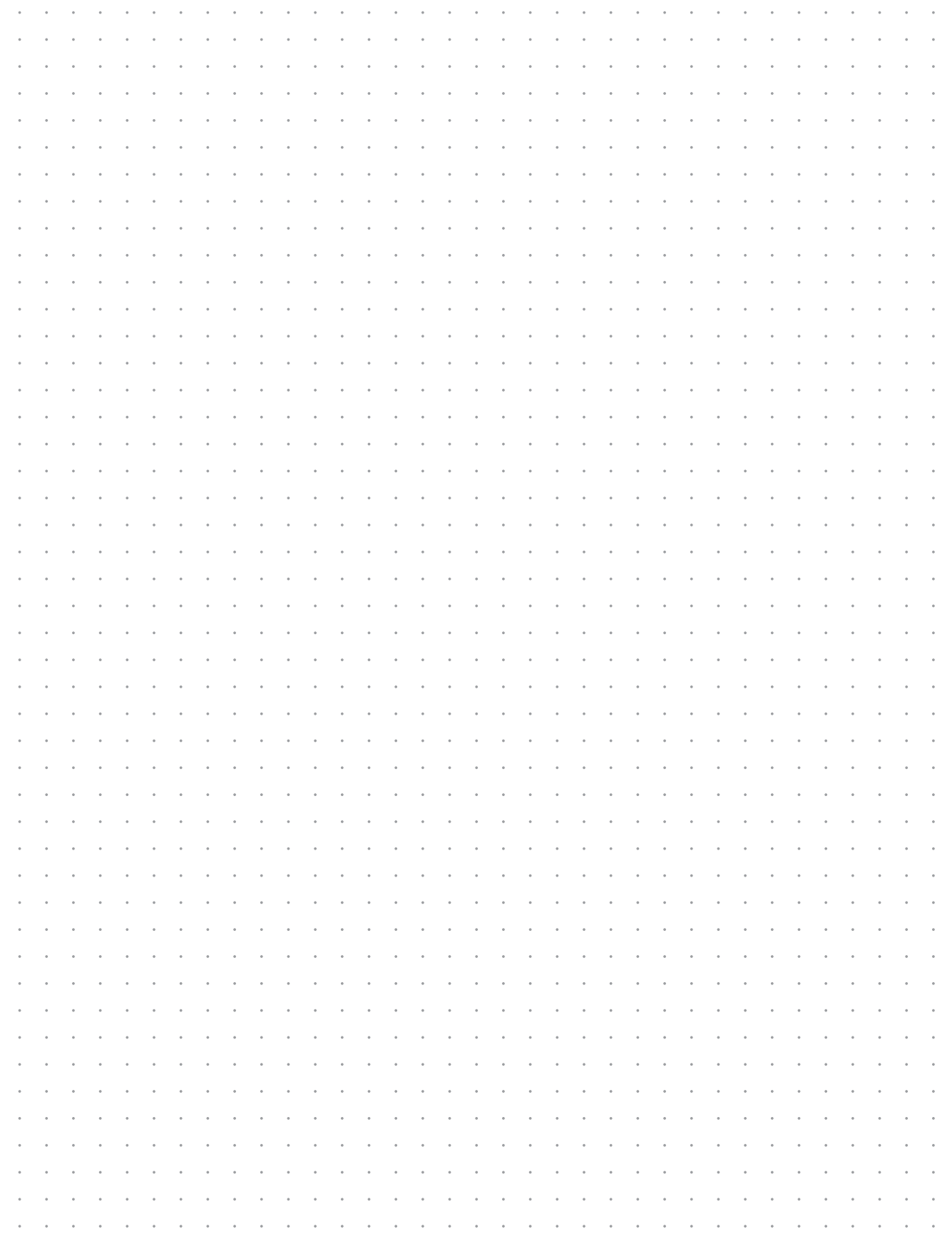
Ordering information Component overview

Article	Application example	Dimensions in mm																																
 <p>Wall joint S 1015500019 RAL 9006 white aluminium</p> <ul style="list-style-type: none"> • Angle of rotation 300° with stop • Screw-fit installation opening • Weight: 1,30 kg 																																		
 <p>Wall joint W 1015500020 RAL 9006 white aluminium</p> <ul style="list-style-type: none"> • Angle of rotation 300° with stop • 2 screw-fit installation openings • Weight: 1,76 kg 																																		
 <p>Base / wall flange 1015500023 RAL 9006 white aluminium</p> <ul style="list-style-type: none"> • Weight: 0,46 kg 																																		
 <p>Base, rotary 1015500021 RAL 9006 white aluminium</p> <ul style="list-style-type: none"> • Angle of rotation 300° with stop • Weight: 0,84 kg 																																		
 <p>Tube profiles Standard lengths (available from stock)</p> <table border="1" data-bbox="519 1690 1202 1978"> <thead> <tr> <th>Article number</th> <th>Length [mm]</th> <th>Weight [kg]</th> <th>additional note</th> </tr> </thead> <tbody> <tr> <td>9524029000</td> <td>250</td> <td>1,02</td> <td>-</td> </tr> <tr> <td>9524030000</td> <td>500</td> <td>2,04</td> <td>-</td> </tr> <tr> <td>9524031000</td> <td>750</td> <td>3,06</td> <td>-</td> </tr> <tr> <td>9524032000</td> <td>1000</td> <td>4,08</td> <td>-</td> </tr> <tr> <td>9524033000</td> <td>1250</td> <td>5,10</td> <td>-</td> </tr> <tr> <td>9524034000</td> <td>1500</td> <td>6,12</td> <td>Observe maximum boom length</td> </tr> <tr> <td>9524035000</td> <td>2000</td> <td>8,17</td> <td>Observe maximum boom length</td> </tr> </tbody> </table>	Article number	Length [mm]	Weight [kg]	additional note	9524029000	250	1,02	-	9524030000	500	2,04	-	9524031000	750	3,06	-	9524032000	1000	4,08	-	9524033000	1250	5,10	-	9524034000	1500	6,12	Observe maximum boom length	9524035000	2000	8,17	Observe maximum boom length		
Article number	Length [mm]	Weight [kg]	additional note																															
9524029000	250	1,02	-																															
9524030000	500	2,04	-																															
9524031000	750	3,06	-																															
9524032000	1000	4,08	-																															
9524033000	1250	5,10	-																															
9524034000	1500	6,12	Observe maximum boom length																															
9524035000	2000	8,17	Observe maximum boom length																															

* = Cable guide dimensions | ** = Insertion depth of the support tube

Notes

Plans. Drafts. Ideas – and everything else.





Contact

International Headquarters
BERNSTEIN AG
Hans-Bernstein-Str. 1
32457 Porta Westfalica
Fon +49 571 793-0
Fax +49 571 793-555
info@de.bernstein.eu
www.bernstein.eu

Denmark
BERNSTEIN A/S
Fon +45 7020 0522
Fax +45 7020 0177
info@dk.bernstein.eu

France
BERNSTEIN S.A.R.L.
Fon +33 1 64 66 32 50
Fax +33 1 64 66 10 02
info@fr.bernstein.eu

Italy
BERNSTEIN S.r.l.
Fon +39 035 4549037
Fax +39 035 4549647
info@it.bernstein.eu

United Kingdom
BERNSTEIN Ltd
Fon +44 1922 744999
Fax +44 1922 457555
info@uk.bernstein.eu

Austria
BERNSTEIN GmbH
Fon +43 2256 62070-0
Fax +43 2256 62618
info@at.bernstein.eu

Switzerland
BERNSTEIN (Schweiz) AG
Fon +41 44 775 71-71
Fax +41 44 775 71-72
info@ch.bernstein.eu

Hungary
BERNSTEIN Kft.
Fon +36 1 4342295
Fax +36 1 4342299
info@hu.bernstein.eu

China
BERNSTEIN Safe Solutions
(Taicang) Co., Ltd.
Fon +86 512 81608180
Fax +86 512 81608181
info@bernstein-safesolutions.cn

www.bernstein.eu